

the soft-spot

Max Task Chair

ASSEMBLY INSTRUCTIONS

Designed by Poppin in NYC

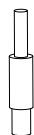
**INCLUDED
IN THE BOX**



SEAT

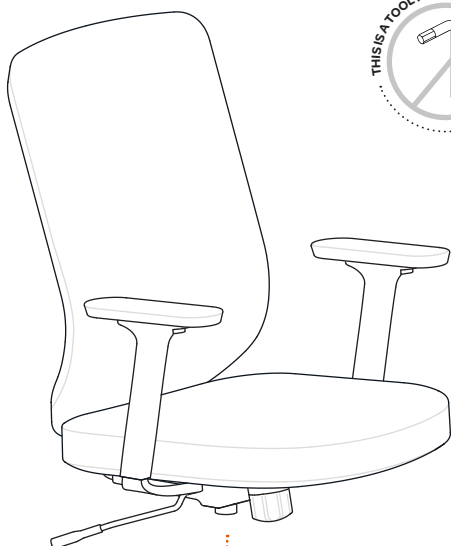


CASTER BASE



PNEUMATIC CYLINDER

ASSEMBLY



1 STEP ONE

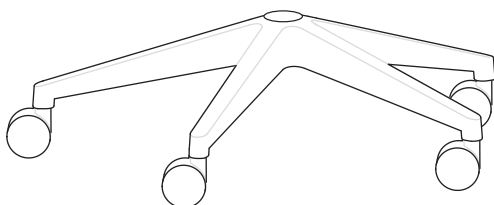
Insert the pneumatic cylinder into the center of the base.



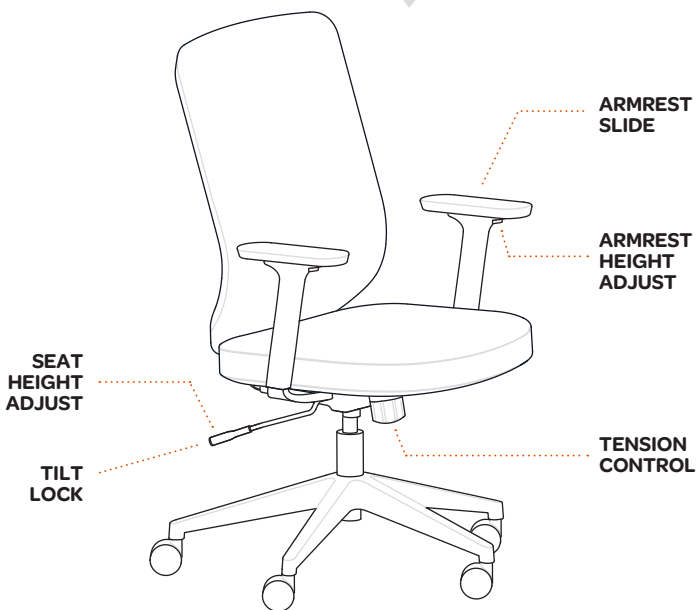
2 STEP TWO

Place the seat on top of the pneumatic cylinder.

Tada! Done.



Ready to roll!



ABOUT POPPIN

Poppin's furniture and office supplies are designed with your success in mind. From a day-brightening Stapler to a game-changing Desk System, Poppin is the one-stop shop for creating inspiring, modern workspaces.

CARE

Doing a little dirty work? Soak up the spill and then blot with warm water + mild soap.

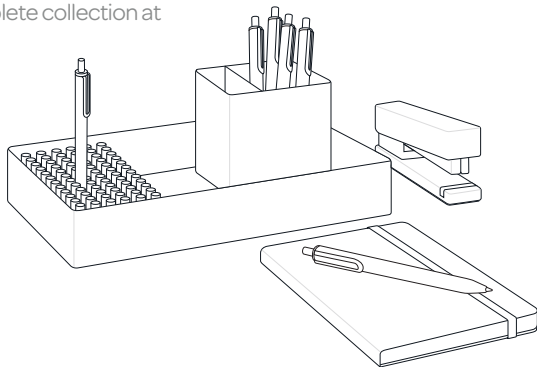
100% WORK HAPPINESS GUARANTEE

For full warranty details, visit poppin.com

WARNING/DISCLAIMER

Listen up, daredevils! (And anyone trying to reach that top shelf). Do not stand on this product. Use only as intended. Failure to follow these instructions could result in property damage or personal injury.

Shop the complete collection at poppin.com



Poppin, Inc.
New York, NY 10010

(888) 676-7746
workstylist@poppin.com
[@workhappy @poppin](https://twitter.com/workhappy)