

the unlock-your-potential

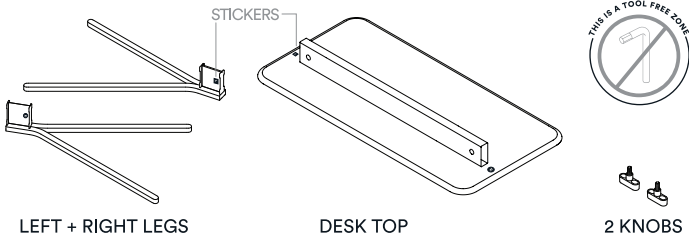
Key Desk

40 x 24 IN · 48 x 24 IN

ASSEMBLY INSTRUCTIONS

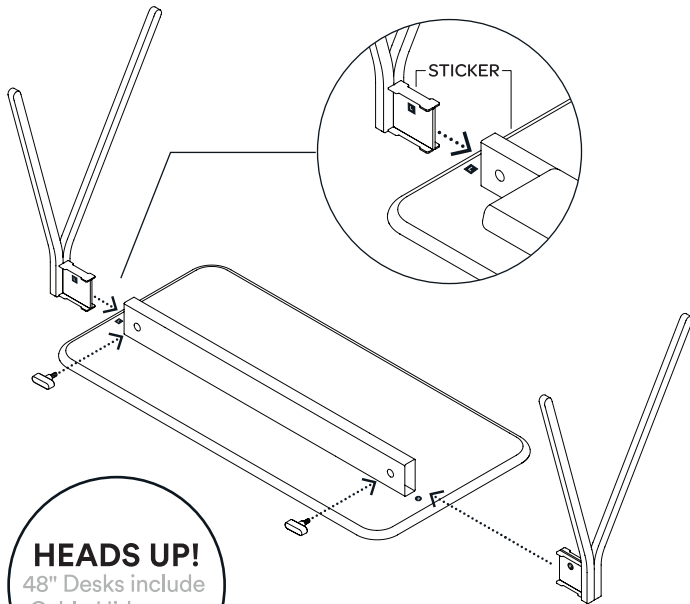
Designed by Poppin in NYC

Included in the box:



ASSEMBLY

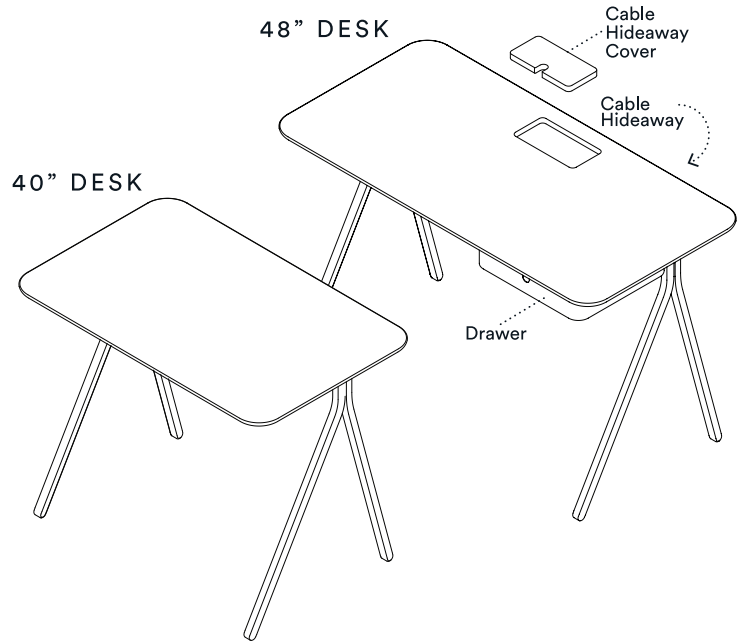
1. Use the black stickers for guidance to match each leg with its correct position on the beam ends.
2. Screw in the knobs tightly.



HEADS UP!
48" Desks include
Cable Hideaway
+ Drawer.

3. Stand the desk upright.

BELLS + WHISTLES



ABOUT POPPIN

Poppin's furniture and office supplies are designed with your success in mind. From a day-brightening Stapler to a game-changing Desk System, Poppin is the one-stop shop for creating inspiring, modern workspaces.

CARE

Wipe clean with soap, water and a soft cloth. Use a Scuff Removing Eraser to remove stubborn scuffs from the metal frame or laminate surface.

100% WORK HAPPINESS GUARANTEE

For full warranty details, visit poppin.com

WARNING/DISCLAIMER

Listen up, daredevils! (And anyone trying to reach that top shelf). Do not stand on this product. Use only as intended. Failure to follow these instructions could result in property damage or personal injury.

Shop the complete furniture collection at poppin.com



Designed by Poppin in NYC

Poppin, Inc.
16 Madison Square West, 3rd Floor
New York, NY 10010

(888) 676-7746
hi@poppin.com
[#workhappy @poppin](https://www.instagram.com/workhappy_poppin)

For patent or patent application information visit poppin.com/patents
©Poppin 2020

v02_May2020