

the quality time

QT Lounge Bench

ASSEMBLY INSTRUCTIONS

The Components:

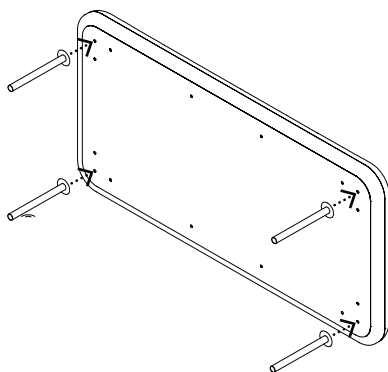


SEAT
x1

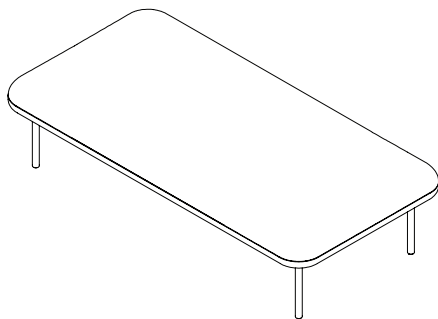


LEGS
x4

1. Screw in the four legs



2. Flip the bench upright



CARE

We recommend annual professional upholstery cleaning for maximum long-term performance and best appearance. Spot-clean using an upholstery cleanser formulated for Polyester fabrics.

WARNING/DISCLAIMER

Listen up, daredevils! (And anyone trying to reach that top shelf). Do not stand on this product. Use only as intended. Failure to follow these instructions could result in property damage or personal injury.