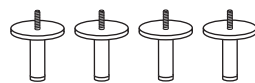
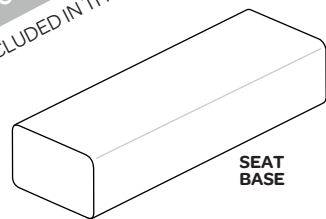


the kick-back
Block Party Lounge
 BENCH, SOFA + CHAIR

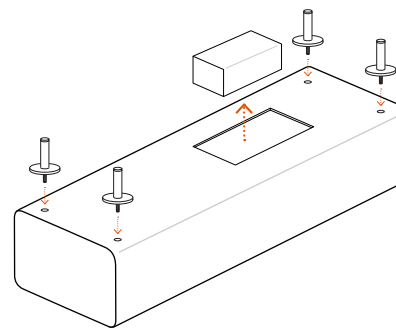
ASSEMBLY INSTRUCTIONS

Dreamt up by Poppin in NYC

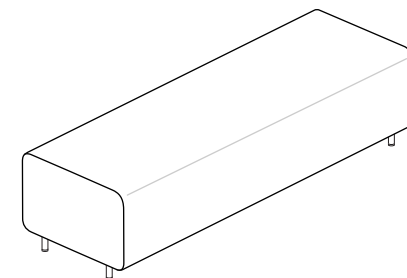
BENCH ASSEMBLY
 INCLUDED IN THE BOX



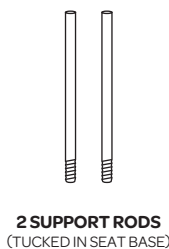
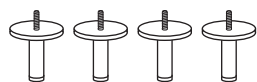
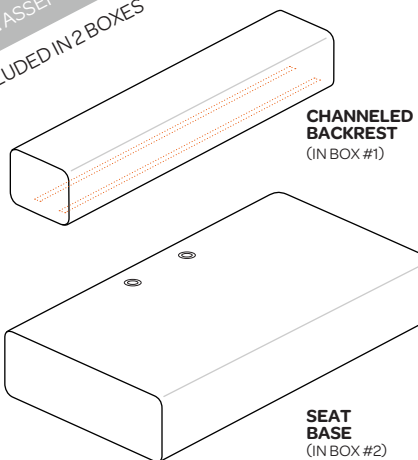
- 1 UNBOX LEGS**
They're tucked away in a box under the seat base.
- 2 SCREW IN LEGS**
Remember: righty tighty!



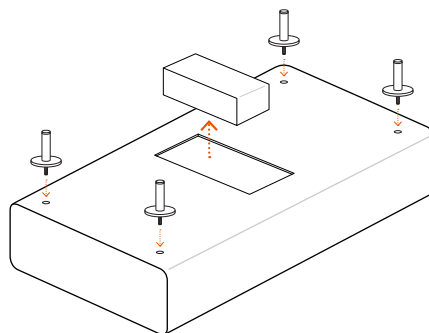
- 3 FLIP BASE UPRIGHT**
Make sure to use a buddy!
- YOUR BENCH IS DONE!**
Get the party started!



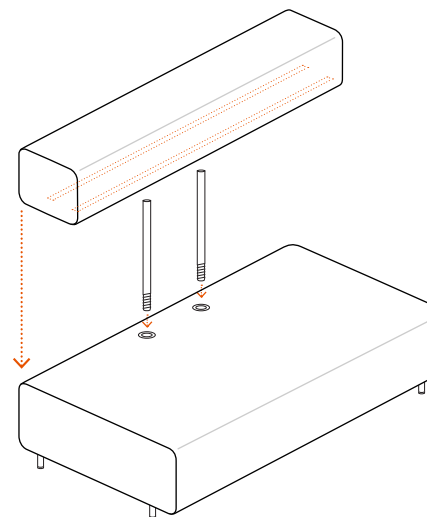
SOFA ASSEMBLY
 INCLUDED IN 2 BOXES



- 1 UNBOX LEGS + RODS**
They're tucked away in a box under the seat base.
- 2 SCREW IN LEGS**
Remember: righty tighty!



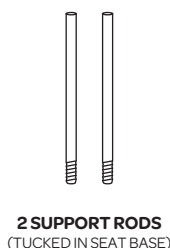
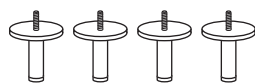
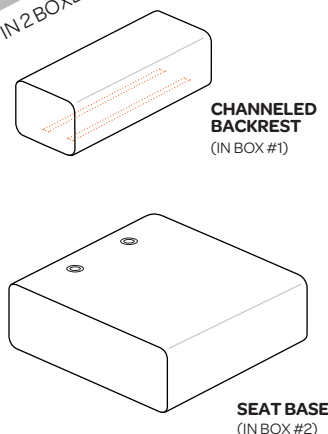
- 3 FLIP BASE UPRIGHT**
Make sure to use a buddy!
- 4 SCREW IN BACK SUPPORTS**
Yes, it's still righty tighty.



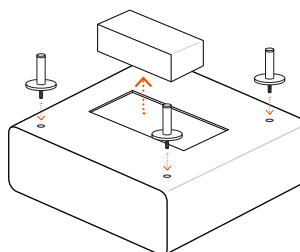
- 5 ALIGN BACKREST**
Grab that buddy again!
There are two channels on the underside of the backrest.
For building a single sofa, engage the rear channel with the rods. This allows the backrest to line up with the back of the seat base.
For joining multiple pieces back to back, utilize both channels to straddle and link them together.
To link pieces side by side, utilize one channel to span both pieces.

* See reverse illustration for configuration ideas. For even more ideas and how-to videos, visit poppin.com/furniturefun

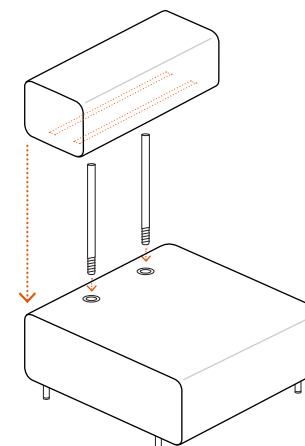
CHAIR ASSEMBLY
 INCLUDED IN 2 BOXES



- 1 UNBOX LEGS + RODS**
They're tucked away in a box under the seat base.
- 2 SCREW IN LEGS**
Remember: righty tighty!



- 3 FLIP BASE UPRIGHT**
Make sure to use a buddy!
- 4 SCREW IN BACK SUPPORTS**
Yes, it's still righty tighty.



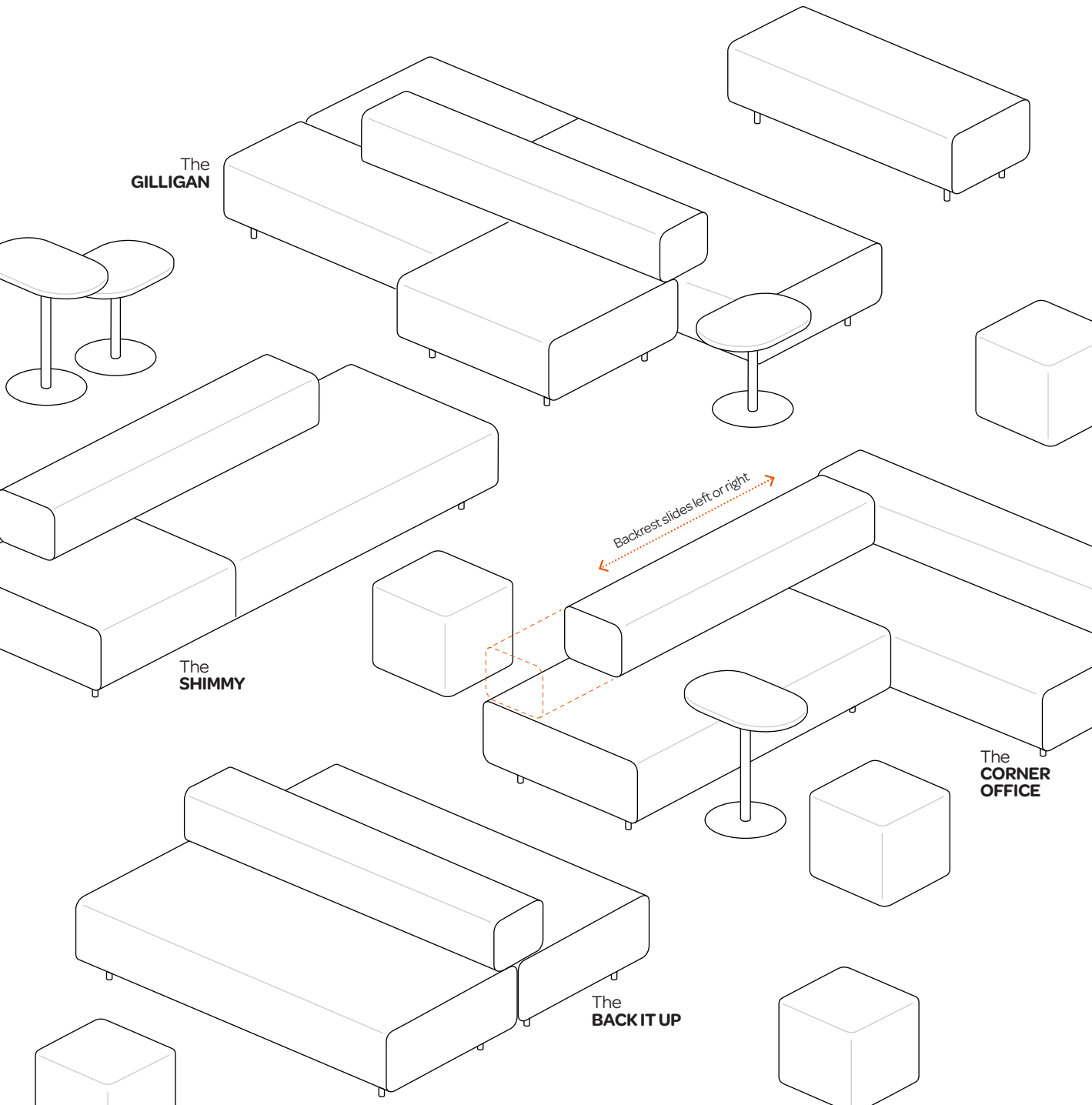
- 5 ALIGN BACKREST**
Grab that buddy again!
There are two channels on the underside of the backrest.
For building a single sofa, engage the rear channel with the rods. This allows the backrest to line up with the back of the seat base.
For joining multiple pieces back to back, utilize both channels to straddle and link them together.
To link pieces side by side, utilize one channel to span both pieces.

* See reverse illustration for configuration ideas. For even more ideas and how-to videos, visit poppin.com/furniturefun

IT'S A BLOCK PARTY!

Our Lounge Collection supports whichever work position works for you. Here are a few of our favorite couplings, but of course we encourage creativity in the boardroom. So go ahead: get away from your desk and slip onto something a little more comfortable.

For even more ideas and how-to videos, visit poppin.com/furniturefun



ABOUT POPPIN

Poppin's furniture and office supplies are designed with your success in mind. From a day-brightening Stapler to a game-changing Desk System, Poppin is the one-stop shop for creating inspiring, modern workspaces.

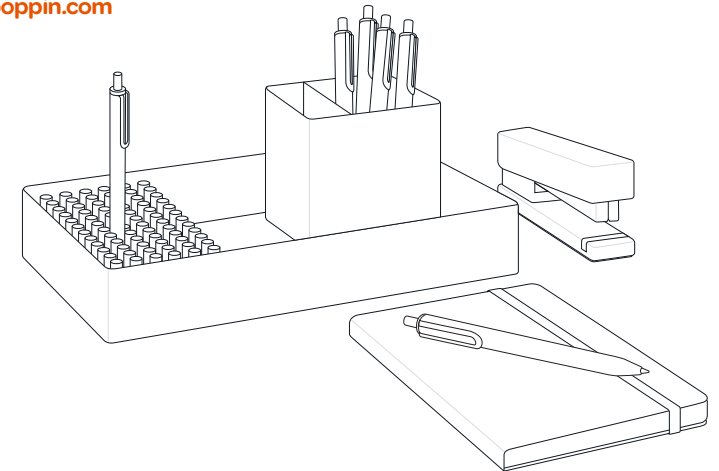
CARE

Doing a little dirty work? Soak up the spill and then blot with warm water + mild soap.

100% WORK HAPPINESS GUARANTEE

For full warranty + care details, visit poppin.com

Shop the complete collection at
poppin.com



WARNING/DISCLAIMER

Heads up, daredevils! Failure to follow these assembly instructions can result in product failure, personal injury, or property damage. May not be used as a trampoline or a flotation device.

Poppin, Inc.
New York, NY 10010

(888) 676-7746
workstylist@poppin.com
[#poppin](https://www.instagram.com/poppin) [#workhappy](https://www.instagram.com/poppin)

For patent or patent application information
visit poppin.com/patents