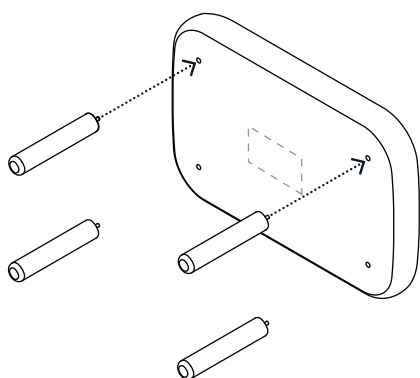


the quiet time

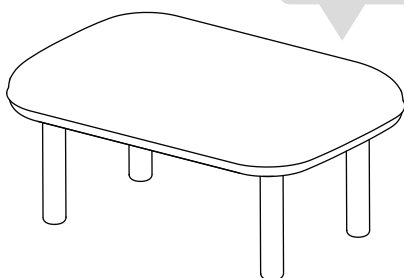
QT Lounge Ottoman

ASSEMBLY INSTRUCTIONS



1. Screw in legs to the underside of the cushion, then stand upright.

Let's spend
some quality
time together.



Designed by Poppin in NYC

Shop the complete furniture collection at poppin.com

Poppin, Inc.
1115 Broadway, 3rd Floor
New York, NY 10010

(888) 676-7746
hi@poppin.com
[@workhappy @poppin](https://www.instagram.com/workhappy)

For patent or patent application
information visit poppin.com/patents

©Poppin 2018

v01_Dec2018