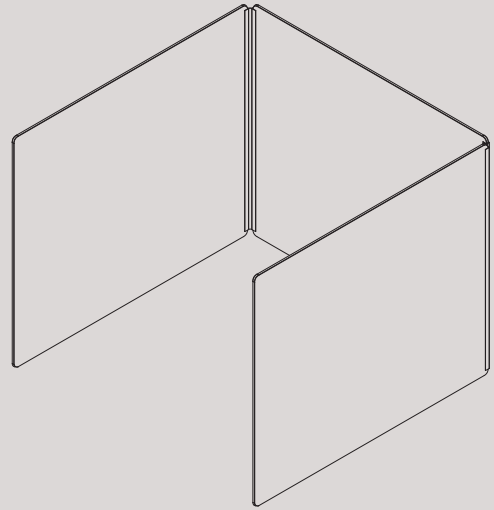


the good-fences

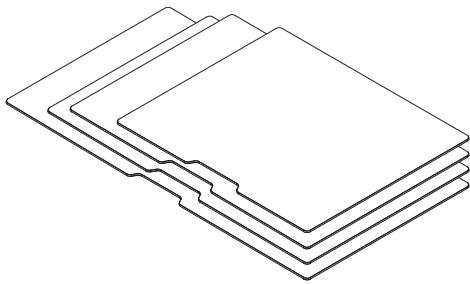
Protective Acrylic Shield

27IN · 43IN · 48IN · 58IN

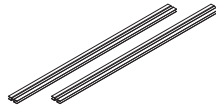
ASSEMBLY INSTRUCTIONS



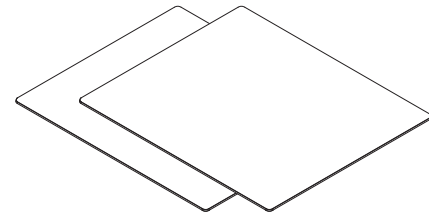
Included in the box:



BACK PANEL
27IN · 43IN · 48IN · 58IN



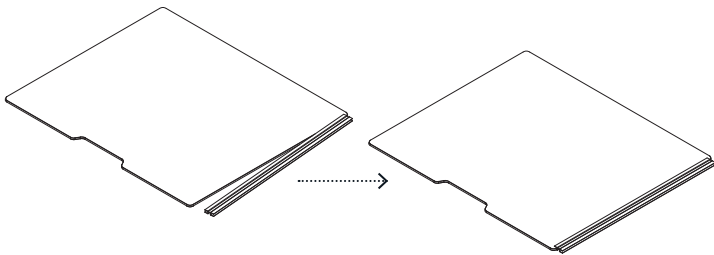
HINGES



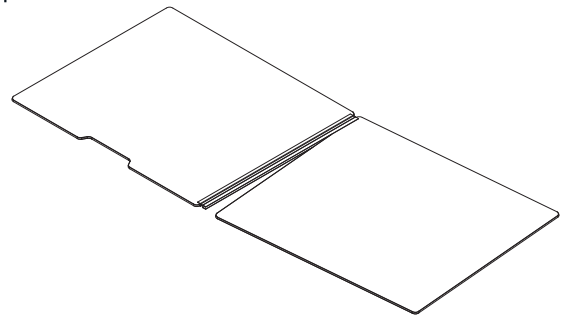
SIDE PANELS

ASSEMBLY

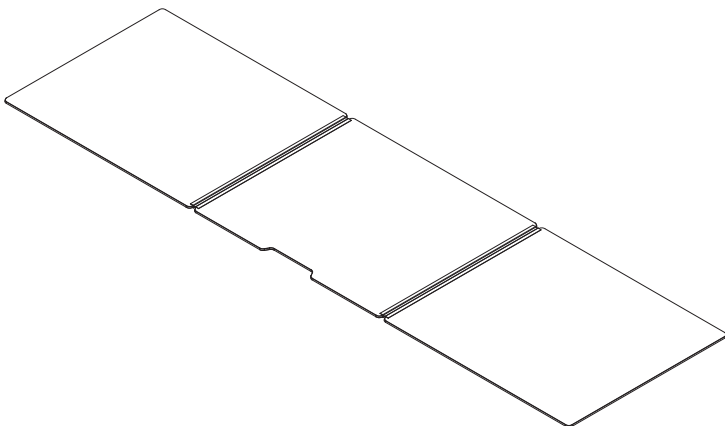
1. Lay the back panel flat and attach the hinge angling in from the top down.



2. Attach the side panel to the hinge, angling the side panel in from the top down.



3. Repeat steps 1 + 2 on the other side panel.



4. Fold the side panels inward and rotate the Acrylic Shield upright. Position on your desktop.

