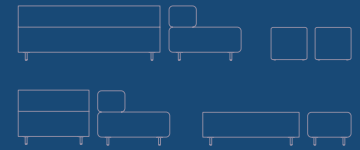


# Block Party Lounge

---



**poppin.** *workhappy.*

FLAGSHIP SHOWROOM  
16 Madison Square West, 3rd Fl  
New York, NY 10010

FOR MORE LOCATIONS, VISIT  
[poppin.com/showrooms](http://poppin.com/showrooms)

(888) 676-7746  
[sales@poppin.com](mailto:sales@poppin.com)  
[@poppin](https://www.instagram.com/poppin) [#workhappy](https://www.facebook.com/poppin)

Assembles completely without tools, so it moves with your short-term and long-term needs



## BLOCK PARTY LOUNGE

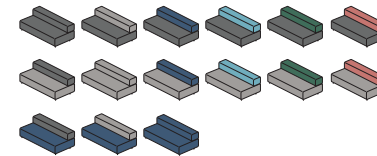
Comfy enough for power naps or marathon work sessions, our Block Party Lounge Collection offers endless arrangements for lunching, lapping, and lounging.

### Bells + Whistles

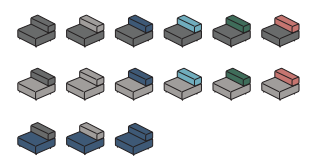
- Clever assembly mechanism allows seat bases to share a back, creating personalized combinations to fit in your space
- Commercial-grade Gabriel Medley textile stands up to holiday parties and hack-a-thons
- Plush seat cushions made of polyurethane foam
- Durable powder-coated steel feet are painted in Poppin orange
- Meets the durability standards for the commercial office industry (BIFMA)
- Designed by Poppin in NYC

### Colors

#### SOFA



#### CHAIR



#### BENCH



#### OTTOMAN



#### 40" ROUND OTTOMAN



#### 24" ROUND OTTOMAN



Durable woven fabric with cushy polyurethane foam fill

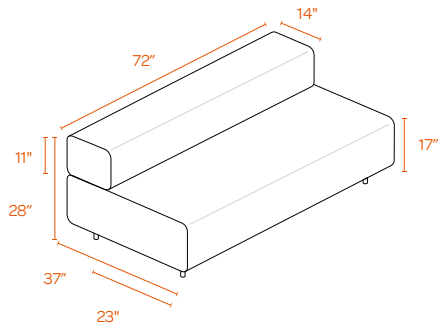


Based on 5 building blocks, it can be arranged to create custom layouts in seconds

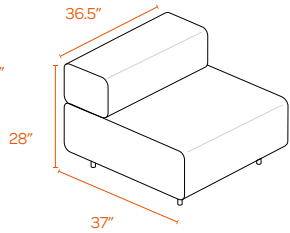


### Contact Us

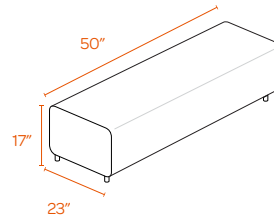
(888) 676-7746    sales@poppin.com    poppin.com/showrooms



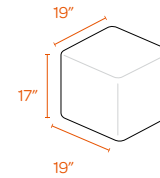
**SOFA**



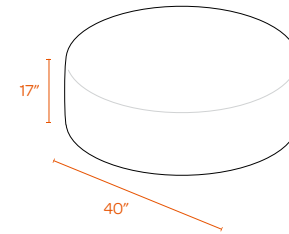
**CHAIR**



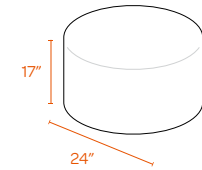
**BENCH**



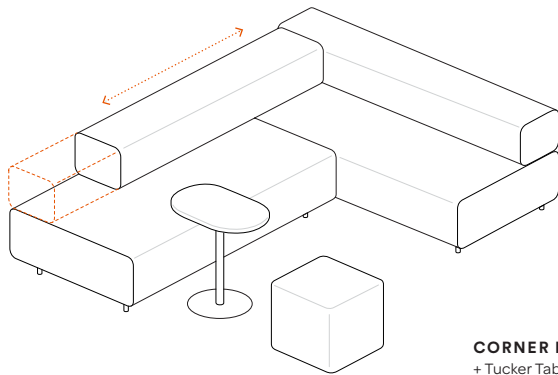
**OTTOMAN**



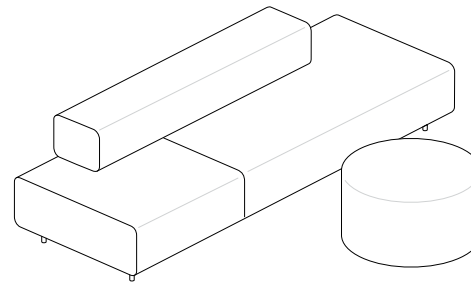
**40" OTTOMAN**



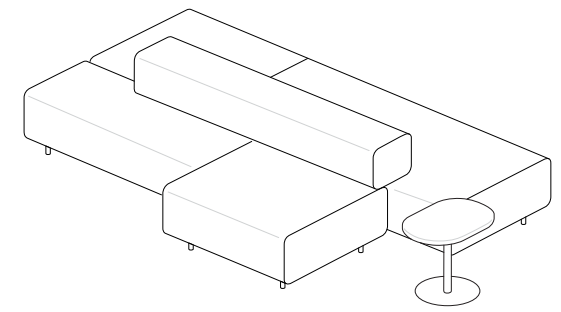
**24" OTTOMAN**



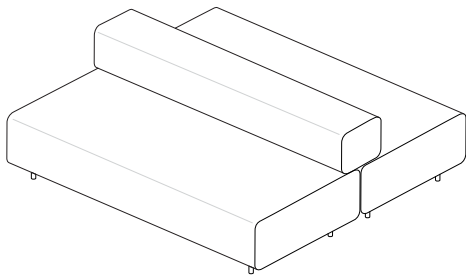
**CORNER LOUNGE**  
+ Tucker Table, Ottoman



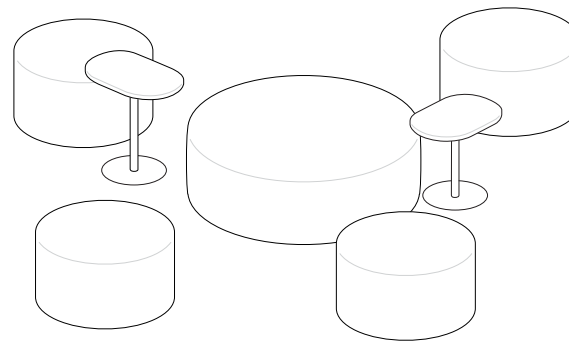
**SHIMMY**  
+ 24" Round Ottoman



**GILLIGAN**  
+ Tucker Table



**BACK IT UP SOFA**



**THE CONSTELLATION**  
+ Tucker Tables

## DIMENSIONS + ARRANGEMENT IDEAS

Our Lounge Collection supports whichever work position works for you. Here are a few of our favorite couplings, but of course we encourage creativity in the boardroom. So go ahead: get away from your desk and slip onto something a little more comfortable.

### Contact Us

(888) 676-7746    sales@poppin.com    poppin.com/showrooms

# Tucker Side Table







*Shown with Block Party Lounge System*

## TUCKER SIDE TABLE

Like our lovable office dog, Tucker, our side table is your new best friend. The flat base is cleverly designed to slide under our Block Party Lounge Collection, letting it stay loyally by your side.

### Bells + Whistles

- Tucker Side Table features effortless tool-free assembly
- Designed to keep your phone close and your snacks closer
- Don't fear the Cheetos: the laminate tops are easy to clean
- Wide powder-coated White steel base keeps your table from getting tipsy
- Designed to slide under the Block Party Lounge Collection
- Available in 19" h or 25" h
- Meets or exceeds BIFMA standards
- Designed by Poppin in NYC

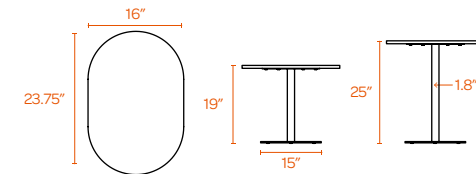
### Colors

25" TABLE

19" TABLE



### Dimensions



*Choose from 19" h or 25" h*



*Sturdy steel base keeps things steady*

### Contact Us

(888) 676-7746

[sales@poppin.com](mailto:sales@poppin.com)

[poppin.com/showrooms](http://poppin.com/showrooms)